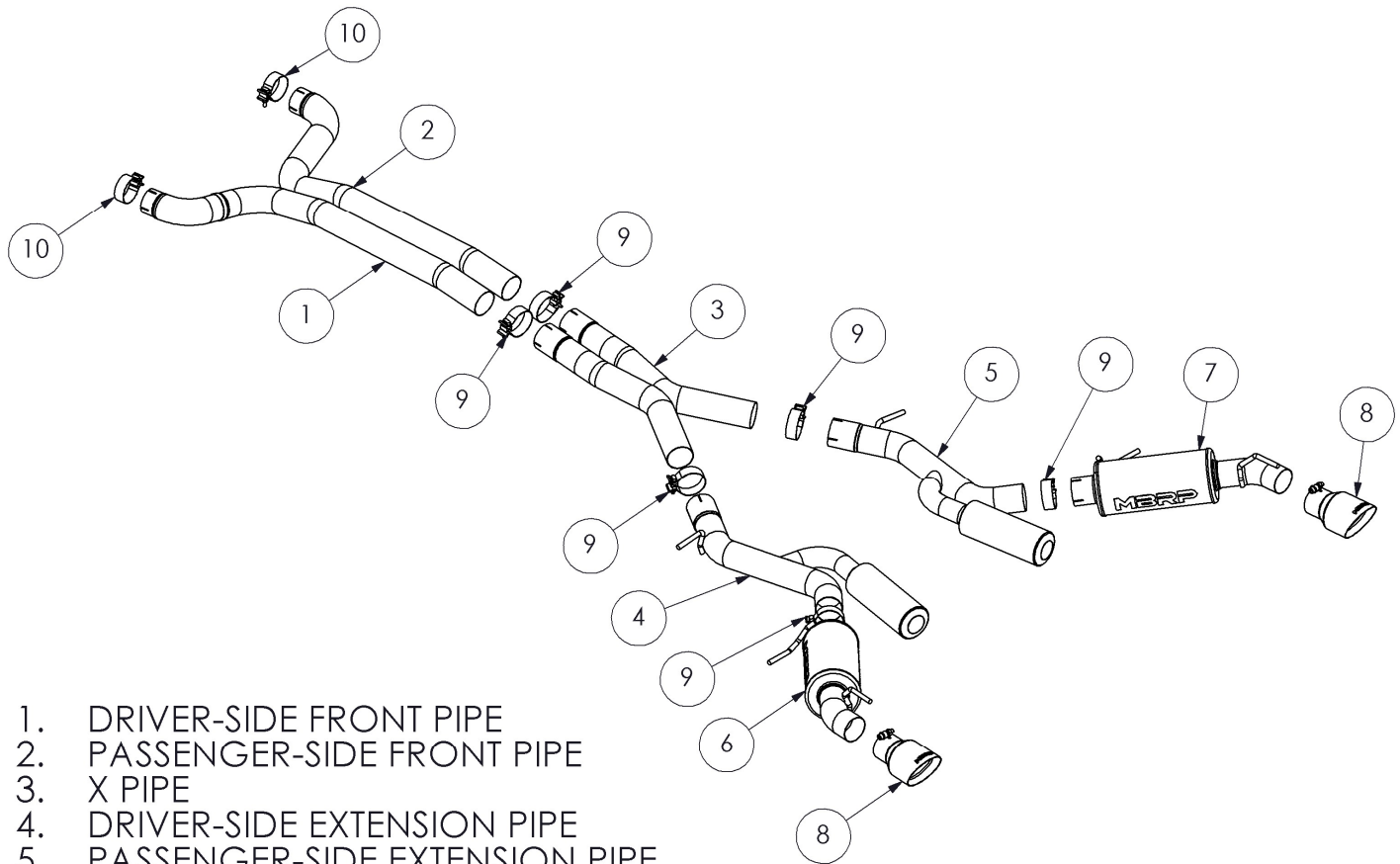


S7035

2016 UP CAMARO SS DUAL TIP [NON
NPP] 6 SPD CAT BACK, COUPE ONLY

MBRP®



1. DRIVER-SIDE FRONT PIPE
2. PASSENGER-SIDE FRONT PIPE
3. X PIPE
4. DRIVER-SIDE EXTENSION PIPE
5. PASSENGER-SIDE EXTENSION PIPE
6. DRIVER-SIDE MUFFLER ASSEMBLY
7. PASSENGER-SIDE MUFFLER ASSEMBLY
8. TIP [2 PCS]
9. 3" CLAMP [6 PCS]
10. 2.75" CLAMP [2 PCS]

PLEASE READ BEFORE STARTING INSTALLATION

While MBRP has made every effort to ensure that all components of this system are of superior quality and properly packaged, it is the installer's responsibility to ensure the following before removal of the factory exhaust:

- that ALL components shown above are present.
- that ALL mating components fit together.
- that there are no damaged components.
- that the system you have purchased is appropriate for your vehicle year, model and configuration.
- that the system will not interfere with any modifications previously installed or planned.
- that you have read and understand these instructions.

If you have any questions or are uncertain about any aspect of the installation of this system to your vehicle please contact your dealer before commencing installation.

Removal of Stock System

Note: Installation requires cutting the OEM Exhaust



Figure 1



Figure 2

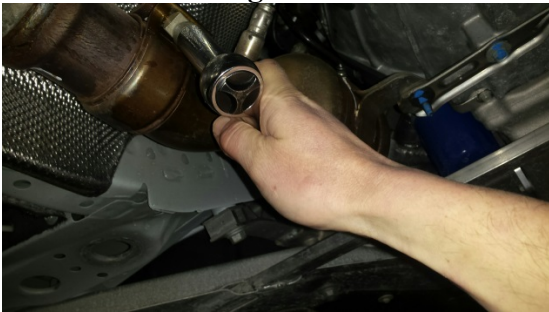


Figure 3



Figure 4

1. Apply a penetrating lubricant liberally to all exhaust fasteners, hangers and rubber isolators.

2. Remove the driveshaft tunnel brace
Refer to Figure 1.

3. Disconnect the flanged joint on the passenger side, and the slip joint on the driver side of the OEM exhaust. Retain all hardware as it will be reused.

Refer to Figures 2 and 3.

4. Remove the nuts from the rear muffler hangers. With the help of an assistant, remove all exhaust hangers and lower the OEM exhaust assembly. Retain the rear muffler hangers and hardware as these will be reused.

Refer to Figure 4.

5. Cut the OEM exhaust **AFTER** the secondary Cats. The pipes need to be cut at the end of the short straight sections that lead into the sharp bends. Mark the pipes and verify that approximately 1.7" of straight pipe on the driver side, and 2.1" on the passenger side will remain on the cat pipes after cutting. Once cut, reinstall onto the car.

Refer to Figure 5.

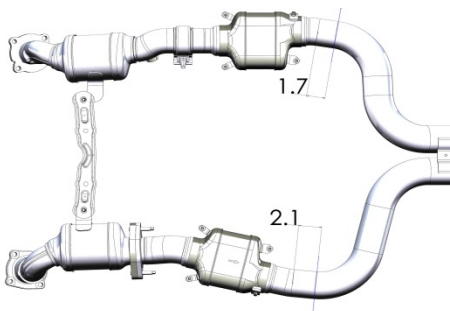


Figure 5

Installation of MBRP Performance Exhaust

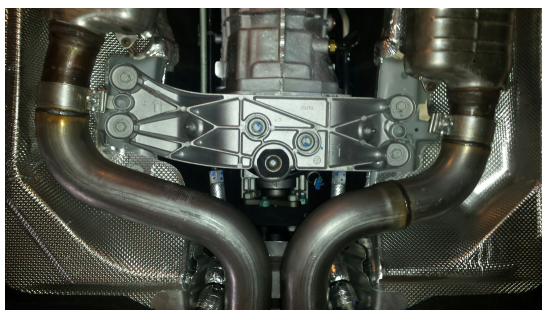


Figure 6

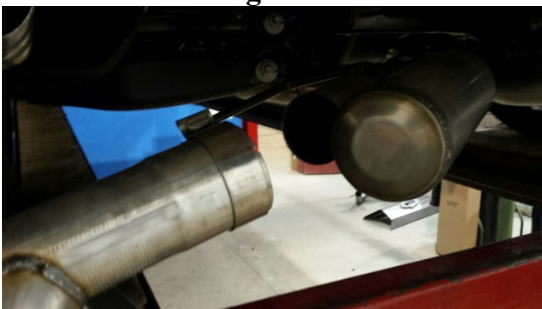


Figure 7



Figure 8



Figure 9

1. Install a **2.75" Clamp** onto the inlets of the **Driver-Side Front Pipe** and **Passenger-Side Front Pipe** before installing them onto the OEM pipes. Install the pipes with approximately 1.5" of overlap.

Refer to Figure 6

2. Slide two **3" clamps** on the **X pipe** before installing it onto the outlets of the front pipes.

3. Slide a **3" Clamp** on the **Driver-Side Extension Pipe** and install it onto the **X Pipe**. Leave the outlet rotated down slightly to ease the rest of the installation.

4. Install a **3" Clamp** and the previously removed driver side rear muffler hanger onto the **Driver-Side Muffler Assembly**. Install the **Driver-Side Muffler Assembly** onto the outlet of the **Driver-Side Extension Pipe**. Rotate both assemblies up into position then install the hangers into the rubber isolators at the 2 forward locations, while securing the rear muffler hanger with the previously removed nuts.

Refer to Figures 7, and 8.

5. Repeat steps 3-4 for the passenger-side components.

6. Install the driveshaft tunnel brace.

7. Install the **Tips** and align the system to center them in the rear fascia. Tighten all clamps and inspect for adequate clearance between all undercar components.

Refer to Figure 9.

Tip; The hangers are designed to pass horizontally through the rubber isolators. If hangers are not horizontal, the pipe assemblies are not in the correct position.

Congratulations! You are ready to begin experiencing the improved performance and driving pleasure of your **MBRP** performance exhaust system. We know you will enjoy your purchase.